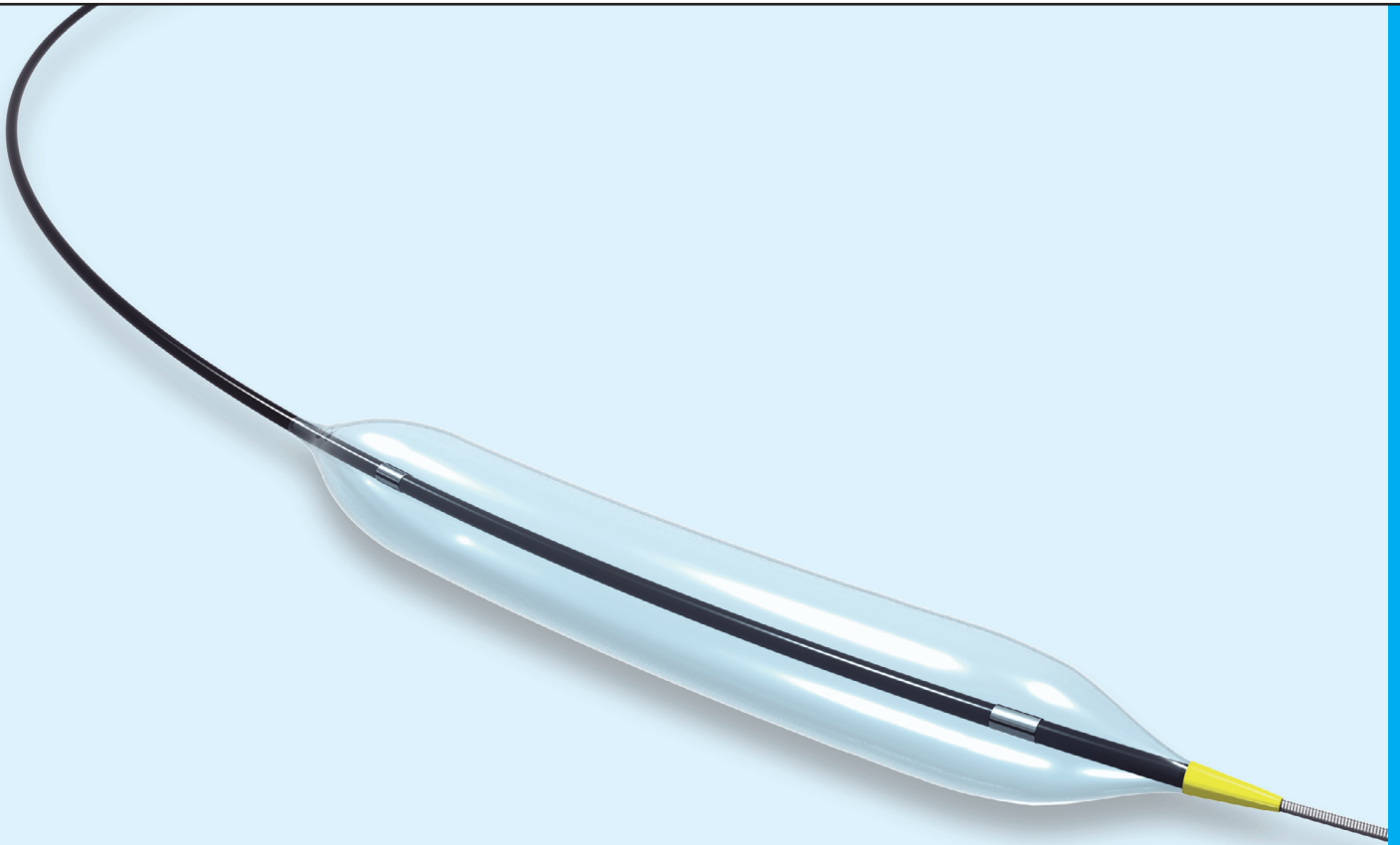
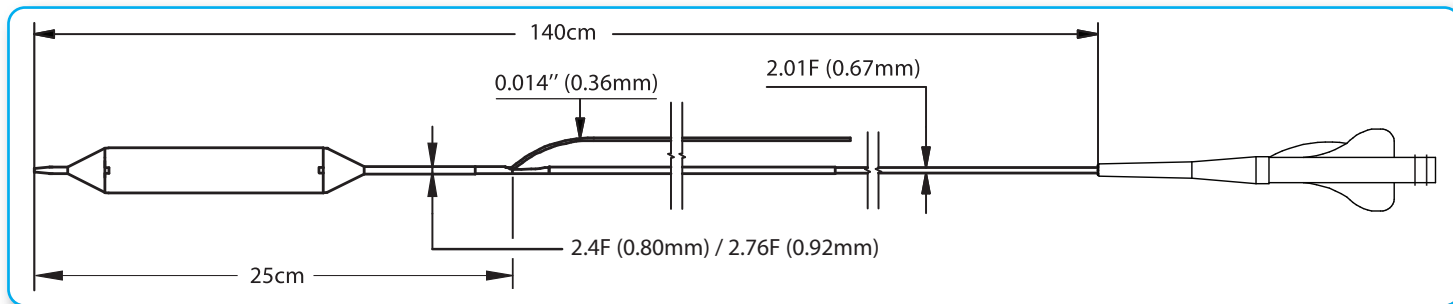


Mistral 2^{SC}



Semi-Compliant Rapid Exchange PTCA Dilatation Catheter



Mistral 2^{SG}

Semi-Compliant Rapid Exchange PTCA Catheter

Technical data

- Usable lengths: 140cm
- Proximal shaft diameter: 2.01F (0.67mm)
- Distal shaft diameter:
 - 2.4F (0.80mm) for Ø1.25 to Ø3.0x20mm
 - 2.64F (0.88mm) for Ø3.0x30mm to Ø3.5mm
 - 2.76F (0.92mm) for Ø4.0mm
- Minimum guiding catheter diameter: 5F (0.058")
- Maximum guide wire diameter: 0.014" (0.356mm)
- Radio-opaque marker bands:
 - 2 of 0.75mm for Ø2.0 to 4.0mm
 - only 1 marker for Ø1.25 & 1.5mm
- 6F Kissing Balloon compatible

	Diameter (mm)	Length (mm)			
		10	15	20	30
NANO	1.25	MTL2S 1.25-10	MTL2S 1.25-15		
	1.50	MTL2S 1.50-10	MTL2S 1.50-15	MTL2S 1.50-20	
SMALL	2.00	MTL2S 2.0-10	MTL2S 2.0-15	MTL2S 2.0-20	MTL2S 2.0-30
	2.25	MTL2S 2.25-10	MTL2S 2.25-15	MTL2S 2.25-20	MTL2S 2.25-30
MEDIUM	2.50	MTL2S 2.5-10	MTL2S 2.5-15	MTL2S 2.5-20	MTL2S 2.5-30
	2.75	MTL2S 2.75-10	MTL2S 2.75-15	MTL2S 2.75-20	MTL2S 2.75-30
LARGE	3.00	MTL2S 3.0-10	MTL2S 3.0-15	MTL2S 3.0-20	MTL2S 3.0-30
	3.50	MTL2S 3.5-10	MTL2S 3.5-15	MTL2S 3.5-20	MTL2S 3.5-30
EXTRA LARGE	4.00	MTL2S 4.0-10	MTL2S 4.0-15	MTL2S 4.0-20	MTL2S 4.0-30

Distributed by

HEXACATH
PIONEER IN BIO ACTIVE COATING

4, Passage Saint Antoine - 92500 Rueil-Malmaison - France
Tel. +33 (0)1 41 39 01 92 - Fax. +33 (0)1 41 39 04 13
www.hexacath.com

HEXACATH is a registered ISO 13485 company.

CE
0459